



Dutch Lighting™
Innovations



DLI DIODE-Series

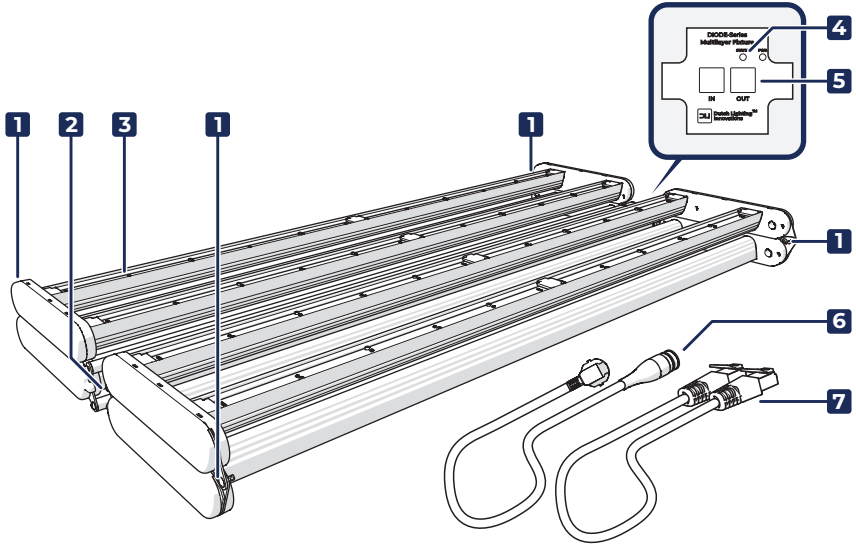
LED Multilayer 600 FS-DC

Foldable

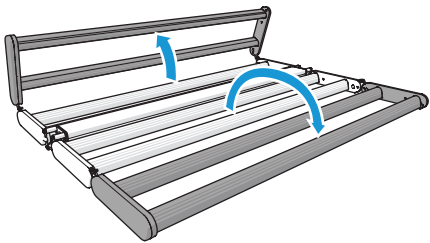
Installation Manual
EN - Original manual

WWW.DUTCHLIGHTINGINNOVATIONS.COM

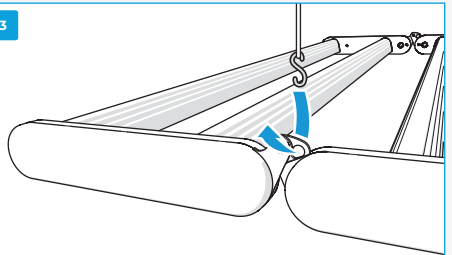
1



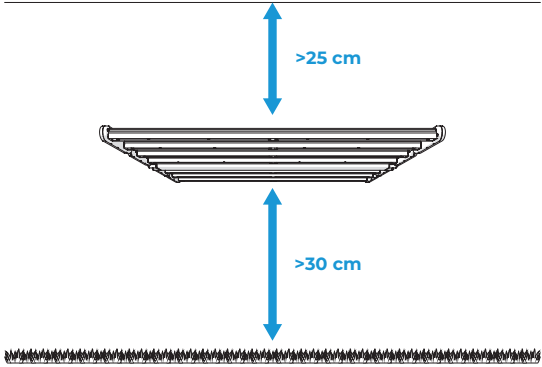
2



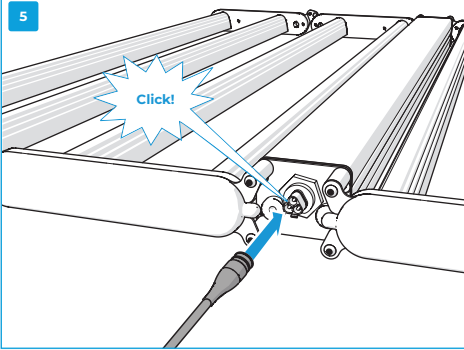
3



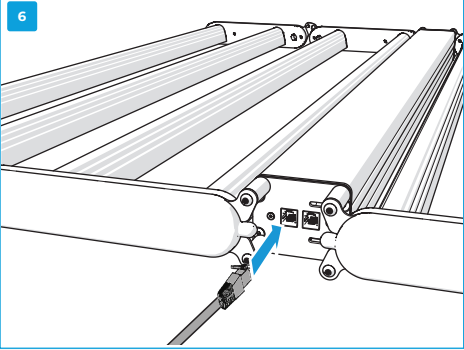
4



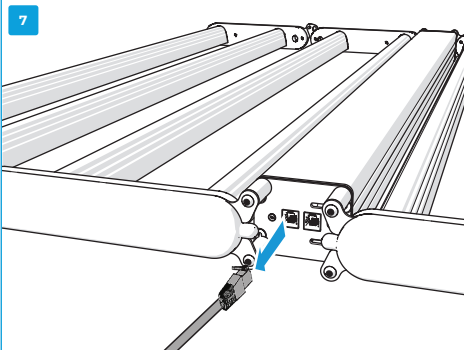
5



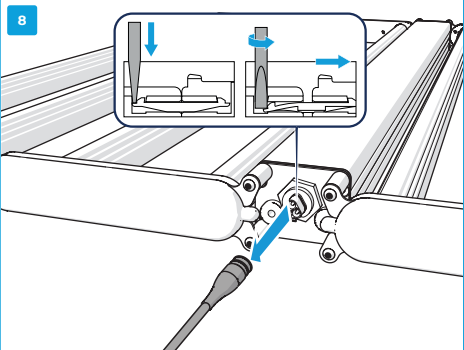
6



7



8



Preface

Thank you for buying the DLI DIODE-Series LED Multilayer 600 FS DC fixture. The efficient and compact DLI DIODE-Series LED Multilayer 600 FS DC fixture is made with high quality components only to assure a high reliability, a long service life and safe operation.

For a correct installation, it is important to read the installation manual carefully before you start with the installation of the fixture(s).

In this manual, the DLI DIODE-Series LED Multilayer 600 FS DC fixture will be referred to as “the fixture”.

Contents

Introduction	5
Intended use	
Symbols used in this manual	
Conformity	
Warranty	
Liability	
<hr/>	
Product description	6
Description	
Main parts	
Specifications	
<hr/>	
Safety	7
<hr/>	
Installation	8
Preparations before installing	
Installing the fixture	
Connecting the power cable and RJ cable	
<hr/>	
Use	9
<hr/>	
Inspection, maintenance and repair	10
Cleaning the fixture	
Disconnecting the RJ cable	
Disconnecting the Wieland power cable	
<hr/>	
Troubleshooting	11
<hr/>	
Storage and disposal	11

Introduction

Intended use









The fixture is intended to be used as grow lighting for indoor rooms without daylight.

The fixture is intended to be used in combination with one of the DLI controllers.

This installation manual explains how to install and use the fixture. Read and understand this manual completely before installing and using the fixture.

Using the fixture otherwise than specified in this manual, is considered as unintended use and will void all warranty.

Symbols used in this manual

	Warning! This symbol indicates a potentially hazardous situation which, if not avoided, could result in death or serious injury.
	Caution! This symbol indicates a potentially hazardous situation which, if not avoided, could result in minor or moderate injury.
	Note: This symbol indicates additional information.
	This symbol indicates a hot surface. The lamp can reach high temperatures. Contact may cause burns. Do not touch.
	DLI declares with this symbol that the products comply with the European requirements.
	This symbol indicates that the product meets the minimum requirements of the generally recognized US and Canadian product safety standard, and manufacturer accept regular strict inspections to ensure the product quality consistency.
	This symbol indicates that the electromagnetic radiation from the device is below the limits specified by the Federal Communications Commission and the manufacturer has followed the requirements of the Supplier's Declaration of Conformity authorization procedures. Applies to USA and CA only.
	This symbol indicates the photobiological safety of lamps and lamp systems Risk group 2: Do not stare at the operating light source. The philosophical basis for this classification is that the lamp does not pose a hazard due to the aversion response to very bright light sources or due to the thermal discomfort.
	This symbol indicates that this product should not be thrown away with other household waste. To prevent possible harm to the environment or human health by uncontrolled waste disposal, you are responsible for recycling it so that it can promote the sustainable reuse of raw materials. To return your used product, you can use the regular return and collection systems applicable in your country.

Conformity

The fixture confirms to the following directives and standards:

ETL	#
FCC	FCC Part 18
CE / CB	IEC 60598-1:2014/AMD1:2017 IEC 60598-2-1(ed.1);am1
Photobiological hazard	IEC 62471 IEC TR 62778

The fixture is compliant with the following directives and standards:

DLC

Warranty

Refer to the general terms and conditions of Dutch Lighting Innovations for information about the warranty conditions.

Liability

Any changes and/or modifications to the fixture will void the warranty. We accept no liability for damage caused by improper use of the fixture.

Product description

Description

This fixture is for professional use, by trained personal, for indoor rooms without daylight

Main parts

See image **1** for an overview of the main parts of the fixture.

1. Mounting point
2. Wieland connector
3. LED lamps
4. LED indicator
5. RJ connectors
6. Wieland power cable*
7. RJ cable

* Country specific cable, not delivered.

Specifications

Type	DLI DIODE-Series LED Multilayer 600 FS DC fixture
Input voltage	208–400 VAC
Input voltage range	±10%
Input frequency	50/60 Hz
Rated power	660 W (Nominal)
Power factor	>0.98
Inrush current	<40 A
Input current	3.2 – 1.7 A
Maximum current	3.2 A @ 208 VAC
Insulation class	IP63
Ambient temperature	0 – 30 °C / 32 – 86 °F
Relative humidity	<70% (not condensating)
Dimensions	108.5 × 113.6 × 6.7 cm 42.71 × 44.72 × 2.64 inch
Weight	11 kg 24.25 lb
Dimming with controller	30-100%

Safety

⚠ Warning!

- Read and understand this manual completely before installing and using the fixture.
- Do not install the fixture if you are not familiar with the construction and operation of the product, and the hazards involved.
- Always observe the local rules for installing and using the fixture.
- Always switch off the mains before installing or maintaining the fixture. Danger of short-circuiting which may pose a fire hazard.
- Never touch the fixture when powered. LEDs are powered by high voltage.
- Never touch the fixture when in operation or within 30 minutes after switch off as this will cause major burn injuries.
- Always keep away from children and pets.
- There are no serviceable parts inside the fixture. Do not open the housing of the power supply units and do not rewire, repair, or reconfigure any component of the fixture. This can cause serious injury or death.
- Never use the fixture in a wet environment or outdoors. Danger of short-circuiting which may pose a fire hazard.

- Never use the fixture in the proximity of dangerous or combustible materials. Danger of combustion which may pose a fire hazard.
- Never let the Wieland power cable touch any hot parts of the fixture. Danger of exposed electrical wiring which may pose short-circuit and a fire hazard.
- Never plug the power cable into a power supply with a different supply voltage than instructed on the housing with electronic ballast. Danger of electric shock which may lead to injuries.
- Always connect the power cable according to local rules, safety regulations and electrical code.
- Do not touch the LEDs while the power cable is plugged in and/or switched on.

⚠ Caution!

- Do not hang the fixture too close above the plants. Danger of burned plants which may pose a fire hazard.
- Always wait at least 30 minutes before restarting the fixture.
- Always connect the Wieland power cable properly.
- Never use a damaged fixture or power cable. If the power cable is damaged, contact the manufacturer to receive a new power cable.
- Never plug or unplug the Wieland power cable while the fixture is used.

Installation

⚠ Warning!

- Always switch off the mains before installing or maintaining the fixture. Danger of short-circuiting which may pose a fire hazard.
- Never use a damaged fixture, Wieland power cable or RJ cable. If the Wieland power cable or RJ cable is damaged, contact the supplier of the fixture to receive a new cable.

Preparations before installing

1. Check if all contents are delivered and undamaged.
2. Check the provided lighting plan.

Installing the fixture

⚠ Caution!

- Always keep a minimum of 30 centimeter between the fixture and the plants. Danger of burned plants which may pose a fire hazard.
- Always use screws and fittings that are suited for your ceiling and that they have sufficient holding power. Contact your local specialised retailer if needed.


1. Install the suitable installation materials on the ceiling.
2. Unfold the fixture. See image **2**.
3. Attach the wires of your choice with an S-hook or other suitable connection materials to the fixture. See image **3**.
4. Attach the wires to your ceiling.
5. Make sure the distance between the fixture and the top of the crop is at least 30 centimeter. Make sure the distance between the fixture and the ceiling is at least 25 centimeter. See image **4**.

Connecting the power cable and RJ cable

Warning!

- Never let the Wieland power cable touch any hot parts of the fixture. Danger of exposed electrical wiring which may pose short-circuit and a fire hazard.
- Never let the RJ cable touch any hot parts of the fixture. Danger of exposed electrical wiring which may pose short-circuit and a fire hazard.
- Never plug the power cable into a power supply with a different supply voltage than instructed on the fixture. Danger of electric shock which may lead to injuries.
- Always connect the Wieland power cable according to local rules, safety regulations and electrical code.

Caution!

- Always connect the Wieland power cable and RJ cable properly.
 - Never use a damaged fixture, Wieland power cable or RJ cable. If the Wieland power cable or RJ cable is damaged, contact the supplier of the fixture to receive a new cable.
1. Plug the Wieland power cable into a suitable power outlet.
 2. Plug the female connector of the Wieland power cable onto the male Wieland connector on the fixture. See image **5**.
 3. Plug the RJ cable into the IN RJ connector. See image **6**.
 4. Plug the other side of the RJ cable into a DLI controller.
 -  Always use a DLI controller in combination with the fixture.
 5. Optionally, plug another RJ cable into the OUT RJ connector.
 6. Plug the other side of the RJ cable into the IN RJ connector on another fixture.

Use

Warning!

- Never touch the fixture when powered. LEDs are powered by high voltage.
- Never touch the fixture when in operation or within 10 minutes after switch off as this will cause major burn injuries.

Inspection, maintenance and repair

⚠ Warning!

- Always switch off the mains before installing or maintaining the fixture. Danger of short-circuiting which may pose a fire hazard.
- Never touch the fixture when powered. LEDs are powered by high voltage.
- Never touch the fixture when in operation or within 10 minutes after switch off as this will cause major burn injuries.
- Never open the fixture. Danger of short-circuiting which pose a fire hazard.
- Never rewire, repair or reconfigure any component of the fixture. Danger of short-circuiting which may pose a fire hazard.

Cleaning the fixture

⚠ Caution!

- Check the fixture regularly for dust or dirt build up.
- Only use a damp microfibre cloth and demineralized water to clean. Using an aggressive detergent to clean the fixture, may lead to product damage.

Check the fixture regularly for dust or dirt. Clean the fixture if necessary.

Disconnecting the RJ cable




1. Switch off the mains.
2. Press the pin to unplug the RJ cable from the DLI controller.
3. Press the pin to unplug the RJ cable from the RJ connector. See image **7**.

Disconnecting the Wieland power cable

1. Switch off the mains.
2. Unplug the female end of the Wieland power cable from the male Wieland connector on the fixture. See image **8**.
3. Unplug the Wieland power cable out of the power outlet.

Troubleshooting

The LED indicator of the fixture shows the status of the fixture. See the table for the blinking sequence information.

LED status	Description	Action
 LED is off, doesn't blink	The fixture operates normally.	No action required.
 LED blinks 2 times	The fixture is in standby mode.	No action required.
 LED blinks 3 times	No communication with the DLI controller	#

Storage and disposal

Store the fixture in a dry, dust-free and clean environment.

Store in a room with an ambient temperature between 0 – 35 °C and a relative humidity between 5% and 85%, non condensating.

This product should not be thrown away with other household waste. To prevent possible harm to the environment or human health by uncontrolled waste disposal, you are responsible for recycling it so that it can promote the sustainable reuse of raw materials. To return your used product, you can use the regular return and collection systems applicable in your country.



Dutch Lighting™
Innovations

Lakenblekerstraat 41 | 1431 GE Aalsmeer | The Netherlands

+31 297 - 760 500

www.dutchlightinginnovations.com

info@dutchlightinginnovations.com

Redefining
The Grow Light

DESIGNED AND MADE IN THE NETHERLANDS