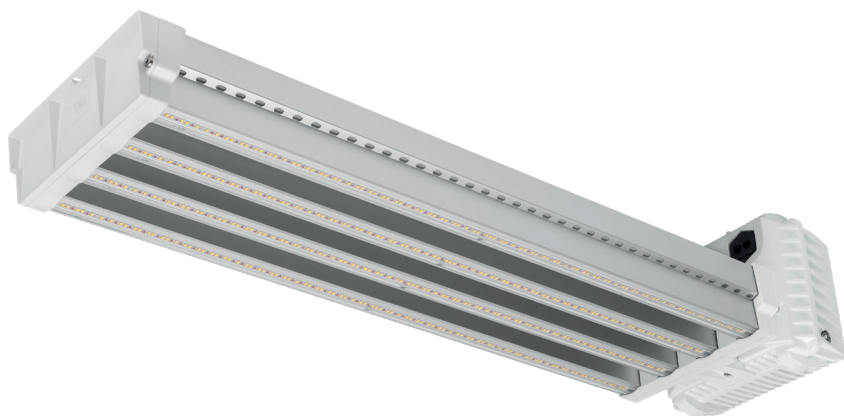




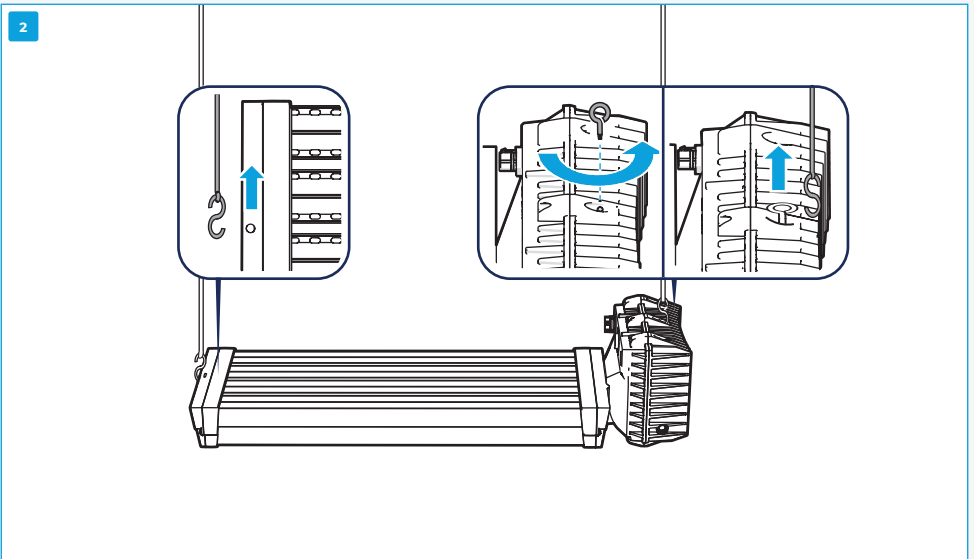
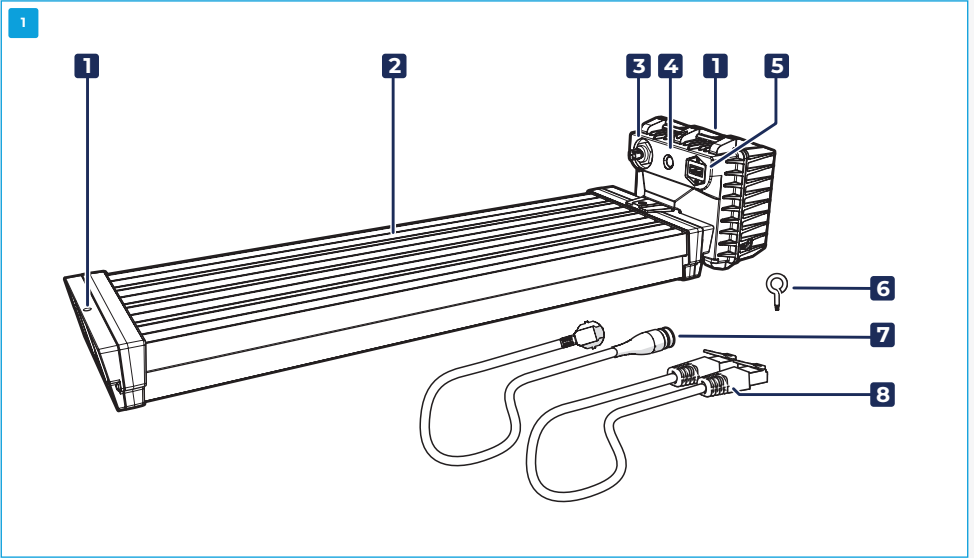
Dutch Lighting™
Innovations



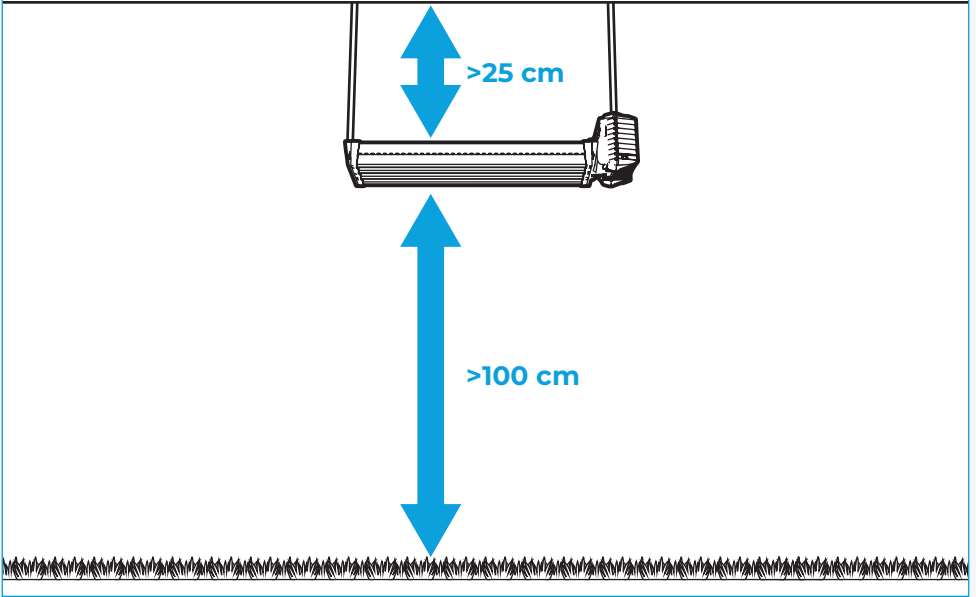
DLI APEX-Series LED TopLighting 800 FS-DC

Installation Manual
EN - Original manual

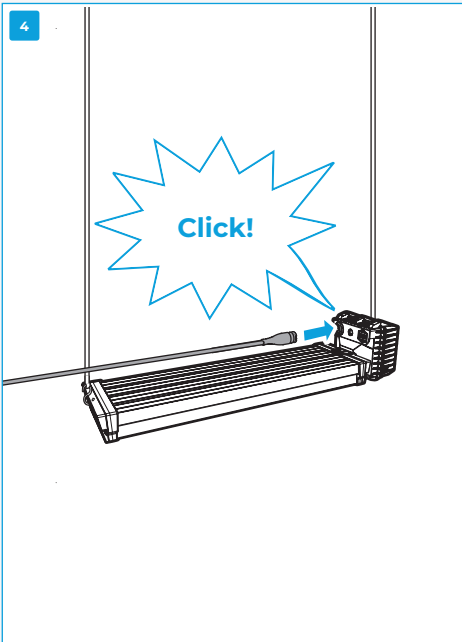
WWW.DUTCHLIGHTINGINNOVATIONS.COM



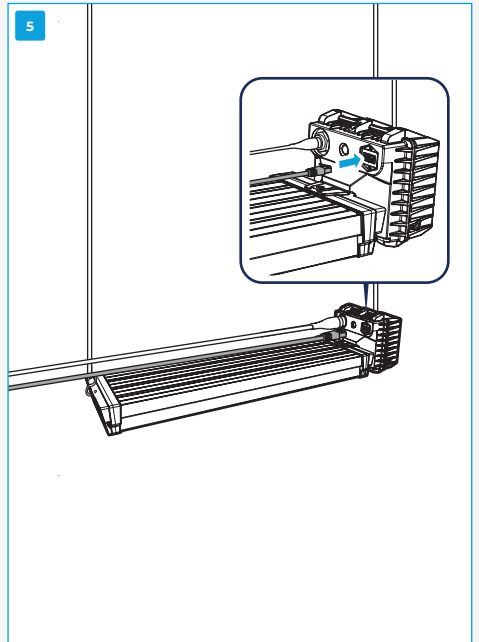
3

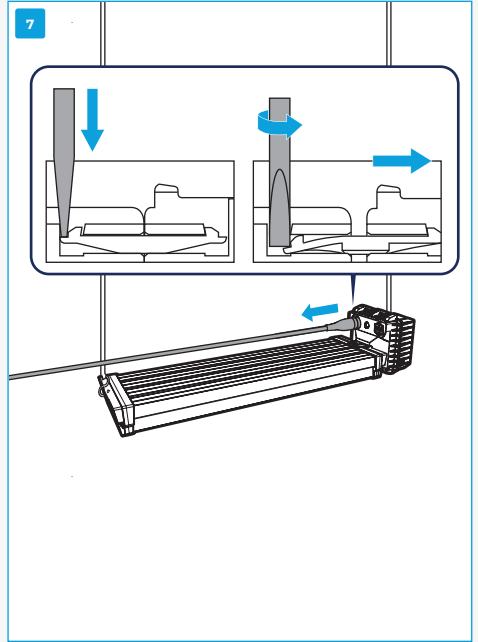
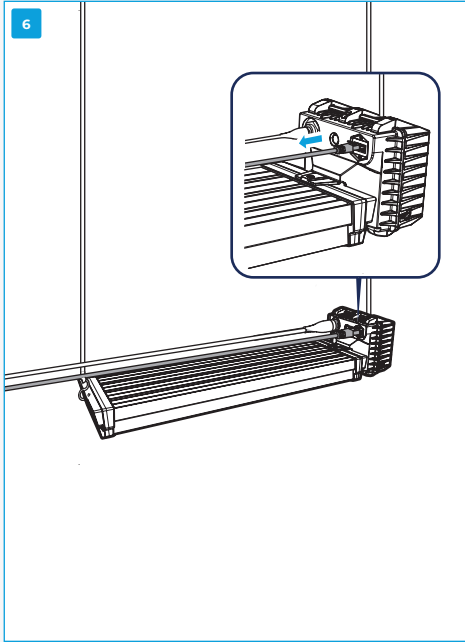


4



5





Preface

Thank you for buying the DLI APEX-Series LED Toplighting Fixture. The efficient and compact DLI APEX-Series LED Toplighting Fixture is made with high quality components only to assure a high reliability, a long service life and safe operation.

For a correct installation, it is important to read the installation manual carefully before you start with the installation of the fixture(s).

In this manual, the DLI APEX-Series LED Toplighting Fixture will be referred to as “the fixture”.

Contents

Introduction	6
Intended use	
Symbols used in this manual	
Conformity	
Warranty	
Liability	
<hr/>	
Product description	7
Description	
Main parts	
Specifications	
<hr/>	
Safety	8
<hr/>	
Installation	9
Preparations before installing	
Installing the fixture	
Connecting the Wieland power cable and RJ cable	
<hr/>	
Use	10
<hr/>	
Inspection, maintenance and repair	11
Cleaning the fixture	
Disconnecting the RJ cable	
Disconnecting the Wieland power cable	
<hr/>	
Storage and disposal	11

Introduction

Intended use

The fixture is intended to be used as grow lighting for indoor rooms without daylight.

The fixture is intended to be used in combination with one of the DLI controllers.

This installation manual explains how to install and use the fixture. Read and understand this manual completely before installing and using the fixture.

Using the fixture otherwise than specified in this manual, is considered as unintended use and will void all warranty.

Symbols used in this manual

	Warning! This symbol indicates a potentially hazardous situation which, if not avoided, could result in death or serious injury.
	Caution! This symbol indicates a potentially hazardous situation which, if not avoided, could result in minor or moderate injury.
	Note: This symbol indicates additional information.
	This symbol indicates a hot surface. The fixture can reach high temperatures. Contact may cause burns. Do not touch.
	DLI declares with this symbol that the products comply with the European requirements.
	This symbol indicates that the product was tested and has met the certification requirements for electrical and/or mechanical products. Applies to USA and CA only.
	This symbol indicates that the electromagnetic radiation from the device is below the limits specified by the Federal Communications Commission and the manufacturer has followed the requirements of the Supplier's Declaration of Conformity authorization procedures. Applies to USA and CA only.
	This symbol indicates the photobiological safety of lamps and lamp systems Risk group 2: Do not stare at the operating light source. The philosophical basis for this classification is that the lamp does not pose a hazard due to the aversion response to very bright light sources or due to the thermal discomfort.
	This symbol indicates that this product should not be thrown away with other household waste. To prevent possible harm to the environment or human health by uncontrolled waste disposal, you are responsible for recycling it so that it can promote the sustainable reuse of raw materials. To return your used product, you can use the regular return and collection systems applicable in your country.

Conformity

The fixture conforms to the following directives and standards:

CSA / UL	CSA C22.2 No. 250.0-18 UL Std. No. 1598 Ed.4 (2018-08-28)
FCC	FCC Part 15
CE / CB*	IEC 60598-1:2014/AMD1:2017 IEC 60598-2-1(ed.1);am1
Photobiological hazard	IEC 62471 IEC TR 62778

* Pending

The fixture complies to the following directives and standards:

DLC UL 8800 UL 1598

Warranty

Refer to the general terms and conditions of Dutch Lighting Innovations for information about the warranty conditions.

Liability

Any changes and/or modifications to the fixture will void the warranty. We accept no liability for damage caused by improper use of the fixture.

Product description

Description

The fixture can be used as grow lighting for indoor rooms without daylight.

Main parts

See image **1** for an overview of the main parts of the fixture.

1. Mounting points
2. Housing with electronic ballast
3. Wieland connector
4. Ventilation plug
5. RJ connector
6. Screw eye
7. Wieland power cable¹
8. RJ cable

¹Country specific cable, not delivered.

Specifications

Type	800 FS DC
Spectrum	Full spectrum
Input voltage	208 – 400 V
Input voltage range	±10%
Input frequency	50 – 60 Hz
Rated power	840 W TYPICAL
Power factor	>95
Inrush current	<20 A, 16 ms
Maximum current	4.4 A
Insulation class	IP65
Ambient temperature	0 – 25 °C / 32 – 77 °F
Relative humidity	<70% (not condensating)
Dimensions	950 x 240 x 195 mm / 37.4 x 9.5 x 7.7 inch
Weight	10.9 kg / 24 lbs

Safety

⚠ Warning!

- Read and understand this manual completely before installing and using the fixture.
- Always observe the local rules for installing and using the fixture.
- Always switch off the mains before installing or maintaining the fixture. Danger of short-circuiting which may pose a fire hazard.
- Never touch the fixture when in operation or within 10 minutes after switch off as this will cause major burn injuries.
- Always keep away from children and pets.
- Never open the fixture with electronic ballast. Danger of short-circuiting which pose a fire hazard.
- Never rewire, repair or reconfigure any component of the fixture. Danger of short-circuiting which may pose a fire hazard.
- Never use the fixture in a wet environment or outdoors. Danger of short-circuiting which may pose a fire hazard.
- Never use the fixture in the proximity of dangerous or combustible materials. Danger of combustion which may pose a fire hazard.
- Never let the Wieland power cable touch any hot parts of the fixture. Danger of exposed electrical wiring which may pose short-circuit and a fire hazard.

- Never plug the power cable into a power supply with a different supply voltage than instructed on the product label on the fixture with electronic ballast. Danger of electric shock which may lead to injuries.
- Never stare or look directly into the LED fixture when in use. This may be harmful to the eyes.
- Always connect the power cable according to local rules, safety regulations and electrical code.

⚠ Caution!

- Always keep a minimum of 100 centimeter between the fixture and the plants. Danger of burned plants which may pose a fire hazard.
- Always keep a minimum of 25 centimeter between the fixture and the ceiling. Danger of overheating which may pose a fire hazard.
- Never open the fixture with electronic ballast. Opening the fixture will void all warranty.
- Always connect the Wieland power cable properly.
- Never plug or unplug the Wieland power cable or RJ cable while the fixture is in use.
- Always use DLI approved parts as replacement parts. The use of other parts may damage the fixture and will void the warranty.
- Always use screws and fittings that are suited for your ceiling and that they have sufficient holding power. Contact your local specialised retailer if needed.

Installation

⚠ Warning!

- Always switch off the mains before installing or maintaining the fixture. Danger of short-circuiting which may pose a fire hazard.
- Never use a damaged fixture, Wieland power cable or RJ cable. If the Wieland power cable or RJ cable is damaged, contact the supplier of the fixture to receive a new cable.

Preparations before installing

1. Check if all contents are delivered and undamaged.
2. Check the provided lighting plan.

Installing the fixture

⚠ Caution!

- Always keep a minimum of 100 centimeter between the fixture and the plants. Danger of burned plants which may pose a fire hazard.
 - Always use screws and fittings that are suited for your ceiling and that they have sufficient holding power. Contact your local specialised retailer if needed.
1. Install the suitable installation materials on the ceiling.
 2. Install the screw eye on the fixture.

3. Attach the wires of your choice with an S-hook or other suitable connection materials to the fixture. See image **2**.
4. Attach the wires to your ceiling.
5. Make sure the distance between the fixture and the top of the crop is at least 100 centimeter. Make sure the distance between the fixture and the ceiling is at least 25 centimeter. See image **3**.

Connecting the Wieland power cable and RJ cable

⚠ Warning!

- Never let the Wieland power cable touch any hot parts of the fixture. Danger of exposed electrical wiring which may pose short-circuit and a fire hazard.
- Never let the RJ cable touch any hot parts of the fixture. Danger of exposed electrical wiring which may pose short-circuit and a fire hazard.
- Never plug the power cable into a power supply with a different supply voltage than instructed on the fixture. Danger of electric shock which may lead to injuries.
- Always connect the Wieland power cable according to local rules, safety regulations and electrical code.

⚠ Caution!

- Always connect the Wieland power cable and RJ cable properly.
- Never use a damaged fixture, Wieland power cable or RJ cable. If the Wieland power cable or RJ cable is damaged, contact the supplier of the fixture to receive a new cable.

1. Plug the Wieland power cable into a suitable power outlet.
2. Plug the female connector of the Wieland power cable onto the male Wieland connector on the fixture. See image **4**.
3. Plug the RJ cable into the IN RJ connector. See image **5**.
4. Plug the other side of the RJ cable into a DLI controller.
- ❗ Always use a DLI controller in combination with the fixture.
5. Optionally, plug another RJ cable into the OUT RJ connector.
6. Plug the other side of the RJ cable into the IN RJ connector on another fixture.

Use

⚠ Warning!

- Never touch the fixture when in operation or within 10 minutes after switch off as this will cause major burn injuries.

Inspection, maintenance and repair

⚠ Warning!

- Always switch off the mains before installing or maintaining the fixture. Danger of short-circuiting which may pose a fire hazard.
- Never touch the fixture when in operation or within 10 minutes after switch off as this will cause major burn injuries.
- Never open the fixture. Danger of short-circuiting which pose a fire hazard.
- Never rewire, repair or reconfigure any component of the fixture. Danger of short-circuiting which may pose a fire hazard.

Cleaning the fixture

⚠ Caution!

- Check the fixture regularly for dust or dirt build up.
- Only use a damp microfibre cloth and demineralized water to clean. Using an aggressive detergent to clean the fixture, may lead to product damage.

Check the fixture regularly for dust or dirt. Clean the fixture if necessary.

Disconnecting the RJ cable

1. Switch off the mains.
2. Press the pin to unplug the RJ cable from the DLI controller.
3. Press the pin to unplug the RJ cable from the RJ connector. See image **6**.

Disconnecting the Wieland power cable

1. Switch off the mains.
2. Unplug the female end of the Wieland power cable from the male Wieland connector on the fixture. See image **7**.
3. Unplug the Wieland power cable out of the power outlet.

Storage and disposal

Store the fixture in a dry, dust-free and clean environment.

Store in a room with an ambient temperature between 0 – 35 °C and a relative humidity between 5% and 85%, non condensating.

This product should not be thrown away with other household waste. To prevent possible harm to the environment or human health by uncontrolled waste disposal, you are responsible for recycling it so that it can promote the sustainable reuse of raw materials. To return your used product, you can use the regular return and collection systems applicable in your country.



Dutch Lighting™
Innovations

Lakenblekerstraat 41 | 1431 GE Aalsmeer | The Netherlands

+31 297 - 760 500

www.dutchlightinginnovations.com

info@dutchlightinginnovations.com

Redefining
The Grow Light

DESIGNED AND MADE IN THE NETHERLANDS