

TelosTM

DATASHEET | 10 Mesh

Mesh Control

An integrated and precise control solution. Wirelessly adjust the power output and apply timing schedules to different groups of units.

Product Lifespan

With an L80 of 85,000 hours, performance is guaranteed for up to ten years of continuous use.



Wide Angle Light Spread

The secondary optics designed by our in house experts provide a 87.6 degrees beam angle which distributes a highly uniform coverage of light.

Upgradeable Modular Design

The entire unit has been designed to enable the LED boards to be upgraded as technology advances.

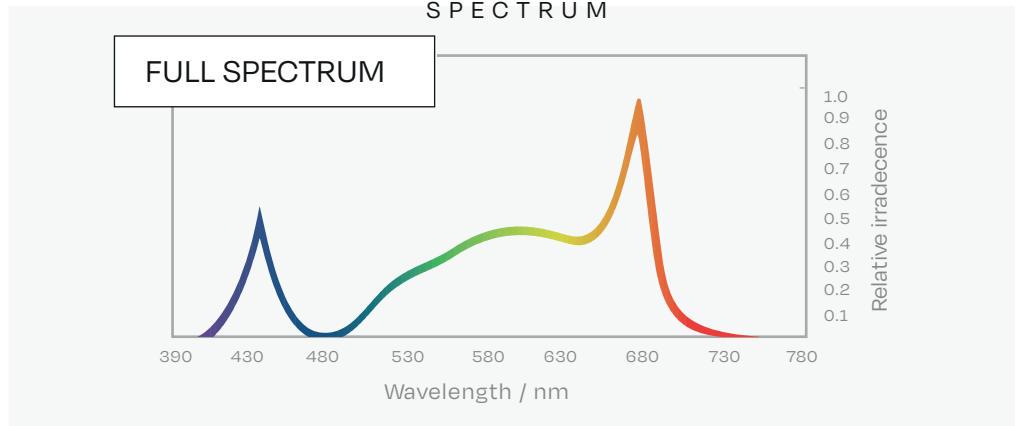
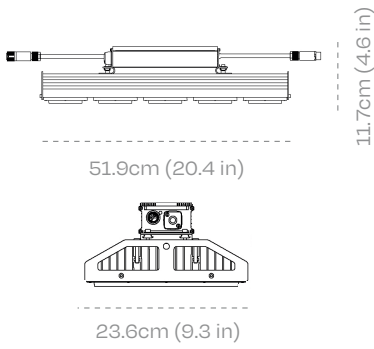
Highly Waterproof

This product has been tested to withstand high pressure jets, as well as being ingress protected from dust and other particles.

TELOSTM 10 MESH

The latest version of a tried and tested, modern and efficient LED grow system. Now featuring a slimmer, lightweight design and high output Osram and Samsung LEDs. Suitable for top-down growing applications, commercial greenhouses, and harsh environments such as advanced medical facilities. The use of passive natural convection has eliminated the need for a fan, reducing noise output and significantly increasing the life span of the light as it contains no moving parts.

DIMENSIONS



SPECIFICATION

| | |
|--|---|
| LIGHT OUTPUT PPF (umoles) | 744 |
| CALCULATED EFFICACY (380 nm ~ 820 nm) (umoles/Joule) | 2.5 |
| TESTED AT (380 nm ~ 820 nm) (umoles/Joule) | 2.46 |
| COLOUR RENDERING INDEX (CRI) | 86.9 |
| LUMINAIRE COLOUR TEMPERATURE (KELVIN) | 3160 |
| BEAM ANGLE | 87.6 degrees |
| LIGHT OUTPUT DEPRECIATION | 85,000 L80 |
| <hr/> | |
| TYPICAL POWER CONSUMPTION | 297.2W |
| POWER INPUT RANGE | 28.5 ~ 330W (Dimmable Driver) |
| VOLTAGE INPUT RANGE | 90 ~ 305VAC (Autosensing) |
| FREQUENCY INPUT RANGE | 47 ~ 63Hz |
| INPUT CURRENT | 1.25A / 230VAC |
| MAX NUMBER OF TELOS SYSTEMS LINKED (POWER) | 6 |
| POWER CABLES & CONNECTIONS | UK or EU plug to waterproof Weiland interface with Telos system (supplied as standard). |
| <hr/> | |
| SYSTEM WEIGHT (LAMP AND DRIVER) | 6.5kg |
| DIMENSIONS (L X W X H) | 519mm, 236mm, 117mm |
| INGRESS PROTECTION | IP66 |
| COOLING METHOD | Passive / Natural |
| NOMINAL OPERATING TEMPERATURE RANGE | 0 - 40 °C |
| <hr/> | |
| PHOTOBIOLOGICAL SAFETY | EN62471:2009 - Risk group: 1 |
| CERTIFICATIONS | CE marked, RoHS compliance, EMC and EMI certified. |
| WARRANTY | 5 Years (limited). See the Telos warranty statement. |
| DATA TOLERANCE | +/- 5% on all flux and power measurements. |

APPLICATION NOTE

