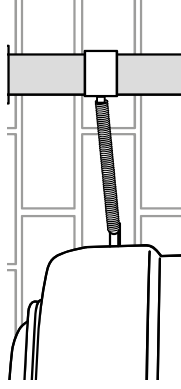


#### Step 4 – Attach the hose

- a) Fit hose between t-piece and diverter

*Handy hint – if the hose is tight place the ends in hot water to loosen, then fit*

- b) Fit remaining outlet on the t-piece with cap



#### Step 5 – Place lid on butt

- a) For 100L and 250L water butts, place the lid on the butt and push to secure in place. To secure lid on 150L and 230L, locate clips on lid with two ribs and slide under rim of water butt. Locate clip with single centre rib and press down to secure lid

**Warning**, ensure water butt lid is on securely

### Increase your water store by linking two or more Whitefurze water butts together

Whitefurze water butts can be linked together at the top via the t-piece. The first water butt should be connected to your downpipe with a diverter via the t-piece. To link another water butt to the first water butt, use a second flexible hose. One end of the second flexible hose should connect to the remaining t-piece outlet on the first water butt. The other end of the flexible hose should connect to the first t-piece outlet on the second water butt. The second t-piece outlet on the second water butt should be covered using the t-piece cap.

### Also available... Spare tap and Diverter kit

#### **WARNING:**

- Ensure the water butt lid is on securely to prevent any **drowning hazard** to animals and children. This will also help prevent access to leaves and insects/mosquitoes.
- Water butts could topple if they are positioned on soil/ground that may soften and settle unevenly over time. **The product must be positioned on a solid, level surface.**
- **Do not permit** children to climb or stand on the water butt to prevent any possibility of it toppling over causing injury.
- Take care when moving it or cleaning the water butt to **avoid toppling over**.
- Water is **unsuitable for drinking**.

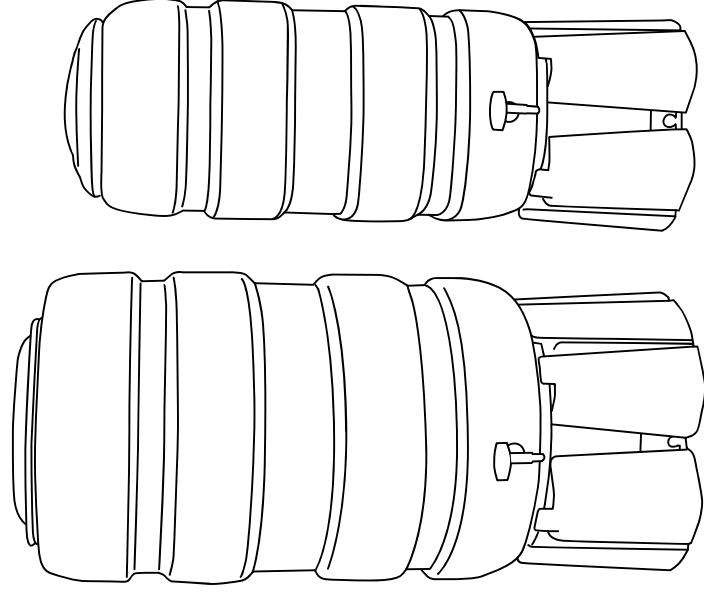


Telephone: 024 76 717755 • Fax: 024 76 717474  
Email: [info@whitefurze.net](mailto:info@whitefurze.net) • Website [www.whitefurze.net](http://www.whitefurze.net)  
Whitefurze Ltd. Burnsall Road, Canley, Coventry, CV5 6BT

# WATER BUTT KIT

## Installation Instructions

### 100L • 150L\* • 230L\* • 250L

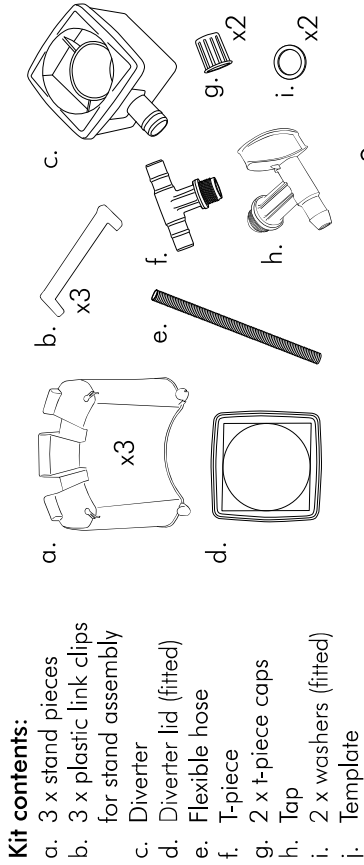


- Take practical steps to keep water bills down and switch to water wise gardening
- Simply fix to your downpipe to collect rainwater
- For a healthier garden, environment and bank balance
- Fits standard 68mm round and 65mm square plastic downpipes
- Not suitable for use with cast iron downpipes

\*150L/230L capacity when used without diverter

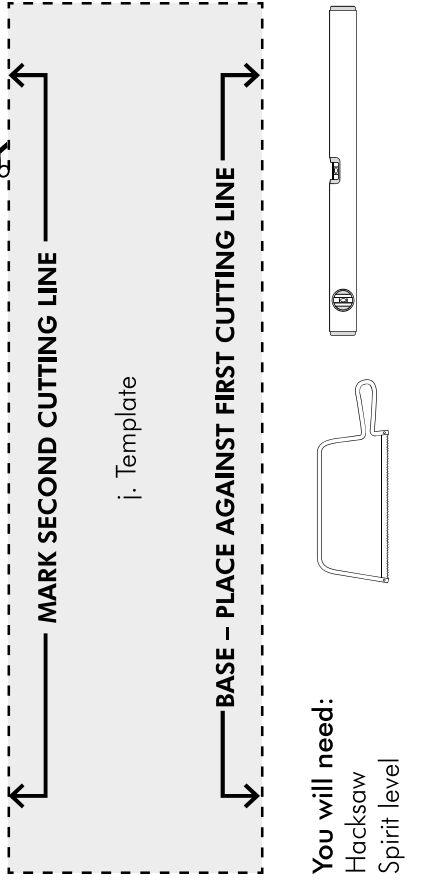


**Before attempting to install your water butt, check kit contents and read through instructions carefully.**

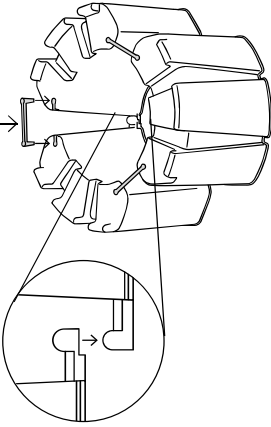


**Kit contents:**

- a. 3 x stand pieces
- b. 3 x plastic link clips for stand assembly
- c. Diverter
- d. Diverter lid (fitted)
- e. Flexible hose
- f. T-piece
- g. 2 x t-piece caps
- h. Tap
- i. 2 x washers (fitted)
- j. Template

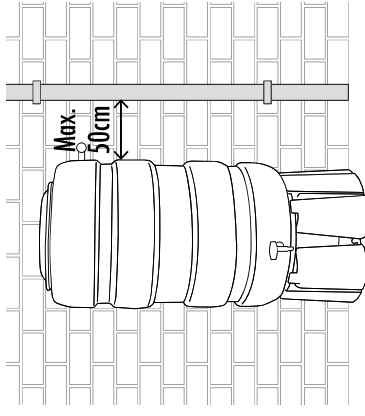


## INSTALLING YOUR WATER BUTT



**Step 1 – Assemble the stand**

- a) Place the three interlocking stand pieces on the floor and link the feet together
- b) Secure using plastic link clips

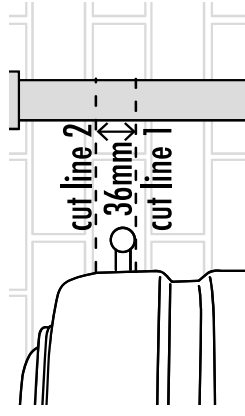


**Step 2 – Place water butt on level ground**

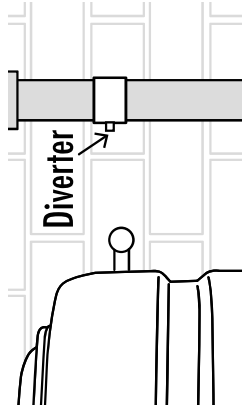
- a) Place the stand on a level surface within 50cm from the downpipe. Please note the length of the flexible hose which connects t-piece to diverter is approximately 50cm
- b) Screw t-piece into internally threaded hole in the top of the butt – ensure t-piece is horizontal
- c) Screw tap into internally threaded hole in the lower half of the butt, ensure tap is closed
- d) Place the water butt on the stand with the tap facing forward

**Step 3 – Cut the downpipe**

- a) Using a spirit level, measure across from the base of the t-piece to the downpipe and mark first cutting line
- b) Cut out the 36mm template provided and place the base against the first cutting line and mark the second cutting line above the first
- c) Cut through the pipe along both cut lines and remove section
- d) i) For use *without* diverter (1.50L & 2.30L only) cut along pre-marked grooves in lid and make the necessary connections to guide downpipe into butt **or**  
ii) For use *with* diverter continue to follow instructions



When used with a diverter, rainwater is diverted into the butt until it is full. Once full, excess water will continue down the pipe and into the drain.



- e) Fix diverter to downpipe - loosen downpipe fixing clips to accommodate diverter and re-tighten once diverter is in place. (If lower half of pipe isn't fitted with clips, additional fixing clips may be required to re-secure)  
For square downpipes, cut diverter lid to shape along pre-marked grooves.